

The LAM L pneumatic light indicator belongs to the LINE ON LINE® family, which means it can be connected to all the other components in series or in parallel.

Available in the version for pipe-pipe connection with two FOX push-in fittings, and in the version for thread-pipe connection with a brass nickel-plated male thread and a push-in fitting.

When there is no pressure, the clear technopolymer bell looks empty.

When there is pressure, a red signal appears.

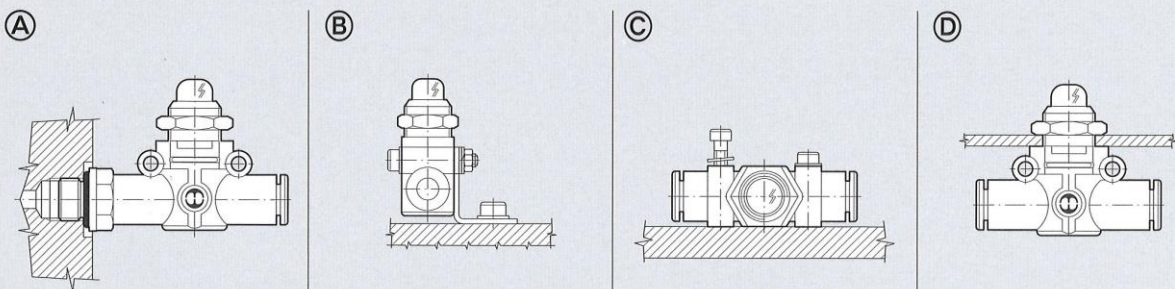
The clear bell can be cleaned using normal detergents or ethyl alcohol, as the technopolymer used is fully compatible.



TECHNICAL DATA

		Ø 6	Ø 8
Operating pressure	MPa	0.2 - 1	
	bar	2 - 10	
	psi	29 - 145	
Temperature range	°C	- 20 to + 60	
	°F	- 4 to + 140	
Flow rate at 6.3 bar ΔP 1 bar	NI/min	420	800
Colour with pressure		Orange - Green	
Recommended pipe		Rilsan PA11 - Nylon 6 - Polyamide 12 - Polypropylene	
Fluid		Lubricated or unlubricated filtered compressed air; if used, must be continuous	

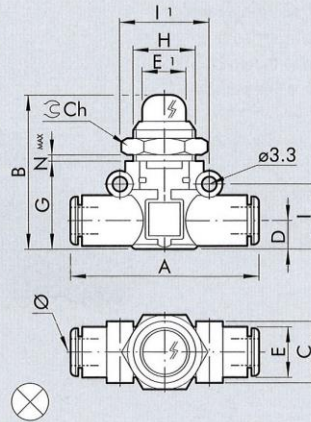
ASSEMBLY OPTIONS



How to mount the LAM L:

- Fig. A With the male threaded port it is possible to mount the LAM L straight onto the female thread.
- Fig. B Fixing to the plate with the special SQU L bracket.
- Fig. C There are two robust rings on the plastic body for fixing the LAM L straight onto the wall.
- Fig. D The ring nut is screwed onto the threaded metal part of the LAM L body for panel mounting.

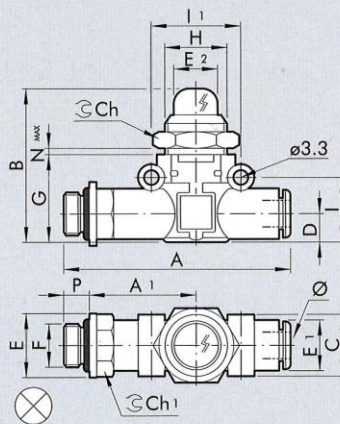
LAM L PIPE-PIPE



Code	Ref.	Ø	A	B	C	D	E	E1	G	H	I	I1	Ch	Nmax
470-6	LAM L 6-6-A	6	49.4	37	14.7	6.4	11.4	10.6	21	M15x1	14.6	20	17	4.5
-	LAM L 6-6-V													
470-8	LAM L 8-8-A	8	57.3	41	18.7	9.1	13.8	10.6	26	M15x1	18.7	24	17	4.5
-	LAM L 8-8-V													

A = Orange
V = Green

LAM L THREAD-PIPE



Code	Ref.	F	Ø	P	A	A1	B	C	D	E	E1	E2	G	H	I	I1	Ch	Ch1	Nmax	
471.018-6	LAM L 1/8-6-A	1/8	6	6	58.5	27.8	37	14.7	6.4	14	11.4	10.6	21	M15x1	14.6	20	17	12	4.5	
-	LAM L 1/8-6-V																			
471.014-6	LAM L 1/4-6-A	1/4	6	8	61.5	28.8	37	14.7	6.4	18	11.4	10.6	21	M15x1	14.6	20	17	14	4.5	
-	LAM L 1/4-6-V																			
471.018-8	LAM L 1/8-8-A	1/8	8	6	66.2	31.8	41	18.7	9.1	15	13.8	10.6	26	M15x1	18.7	24	17	14	4.5	
-	LAM L 1/8-8-V																			
471.014-8	LAM L 1/4-8-A	1/4	8	8	70.6	34.2	41	18.7	9.1	18	13.8	10.6	26	M15x1	18.7	24	17	14	4.5	
-	LAM L 1/4-8-V																			
471.038-8	LAM L 3/8-8-A	3/8	8	9	72.2	34.8	41	18.7	9.1	22	13.8	10.6	26	M15x1	18.7	24	17	17	4.5	
-	LAM L 3/8-8-V																			

A = Orange
V = Green

Summary Art. No.:

Type No.	Art. No.
470-6	106783
470-8	106784
471.018-6	106785
471.018-8	106786
471.014-6	106787
471.014-8	106788
471.038-8	106789